

TRADITIONAL SERIES

FIREPLACE & INSERT ELECTRIC FIREPLACES

Amantii



RD-48 shown with
optional Rustic Log Kit

TRADITIONAL XTRA SLIM SMART

The Traditional Xtra Slim Smart electric fireplace offers the perfect balance of style and functionality for any room that it is placed in.

A familiar emblem of welcome and conversation, the TRD Xtra Slim Smart is defined by its slender depth proportions and seamless integration into any contemporary setting.

Featuring a shimmering flame display, the back of the fireplace is filled with movement that will capture your attention. Adjusting the heat is a simple matter of pushing a button. During the warmer months, the flames can be displayed without heat, making it perfect to use all year round.

KEY FEATURES

- Modern and sleek in design, this unit can be mounted or recessed into any 2" x 4" wall
- Unsurpassed, realistic flames can be enjoyed with or without the use of heat, allowing for year round use
- Clean and Seamless in Design: this fireplace features a full frame viewing area
- WiFi controls come standard
- Remote App- total control of your fireplace from the convenience of your mobile device
- Operate this fireplace from the comfort of your favorite spot with the included full feature remote control
- 2 Heater settings Low 732W High 1465W
- 5000 BTU's Max
- Accessories Included: Clear glass diamonds, black powder coated surround and a full feature remote control
- 11 multi colors of up lighting that accent from the tray
- Flame options include: yellow orange and red. Cycle through 6 different color settings in each
- 3 Speed motor sets the flame speed option
- Smart Heater Control - Auto mode feature allows for the unit to operate under your ideal temperature setting
- Perfect for any commercial or residential space

IDEAL APPLICATIONS

- Apartments
- Condos
- Townhouses
- Older homes

TECHNICAL SPECIFICATIONS

Volts	120
Amps	12.5 A
Watts	1465 max
Heater On	1465 watts high, 732 watts low
Heater Off	25 watts
Rotor Motor	1 at 5 watts
BTU	5000



TRD-30 XS
 Height, Width, Depth: 19 1/8 x 29 3/8 x 4 1/8
 Glass Viewing Opening: 16 x 29 3/8
 Shipping Size: 19 5/8 x 31 1/4
 Shipping Weight: 43.29 lbs Glass Included



TRD-33 XS
 Height, Width, Depth: 22 1/4 x 31 3/4 x 4 1/8
 Glass Viewing Opening: 19 1/8 x 31 3/4
 Shipping Size: 22 3/4 x 33 5/8
 Shipping Weight: 55.11 lbs Glass Included



TRD-26 XS
 Height, Width, Depth: 16 3/4 x 25 1/4 x 4 1/8
 Glass Viewing Opening: 13 5/8 x 25 1/8
 Shipping Size: 17 1/4 x 27 1/8
 Shipping Weight: 38.58 lbs Glass Included

INCLUDED ACCESSORIES



OPTIONAL LOG SET



TRADITIONAL SMART

Distinguished by its timeless elegance and exceptional quality, the Traditional Smart (TRD) series takes its inspiration from its excellent construction.

The heater vents are concealed in the inner top of the unit for a truly clean appearance. This Traditional Smart fireplace will allow you to breathe new life into any space by adding warmth and ambiance even when the heat is turned off with its radiant flames that will not disappoint during any season.

KEY FEATURES

- Can be fully recessed or semi flush mounted.
- TRD three or four sided surround required for semi flush mounted applications
- WiFi compatible to connect and control the fireplace from your smartphone with the use of our app. Available on the Google Play Store and the Apple App Store
- Three speed flame motor
- Choose from combinations of yellow, orange, and red colored flames
- Two flame pattern styles – standard and more traditional
- Flame operates with or without heat
- Choose from 11 colors of canopy and ember bed lighting to illuminate decorative media from below and above
- Touch pad for convenient control of features and temperature display on the fireplace
- Programmable timer & thermostat allows you to decide the temperature of the room. Set your fireplace to turn on before you arrive home or have it automatically turn on when the weather is cold
- Patented thermostatic remote comes included

TECHNICAL SPECIFICATIONS

Volts	120
Amps	12
Watts	1465 Watts
Heater On	1465 Watts high 732 Watts low
Heater Off	22 Watts
Rotor Motor	1 at 5 Watts
BTU	5000



SERIES MODELS:

- TRD 26 SMART
- TRD 30 SMART
- TRD 33 SMART
- TRD 38 SMART
- TRD 44 SMART
- TRD 48 SMART



TRD 38-Smart

Height, Width, Depth:	27 1/4 x 37 1/8 x 12 3/8
Glass Viewing Opening:	23 5/8 x 35 1/4
Shipping Size:	29 5/8 x 41 6/8 x 14 4/8
Shipping Weight:	101.5 lbs Glass Included



TRD 44-Smart

Height, Width, Depth:	31 5/8 x 43 1/4 x 13 3/4
Glass Viewing Opening:	28 1/8 x 41 3/8
Shipping Size:	34 x 47 6/8 x 16 7/8
Shipping Weight:	133.8 lbs Glass Included

TRD 26-Smart



Height, Width, Depth:	16 3/4 x 25 1/4 x 11 3/8
Glass Viewing Opening:	13 1/4 x 23 3/8
Shipping Size:	21 4/4 x 33 7/8 x 14 5/8
Shipping Weight:	57.5 lbs Glass Included

TRD 30-Smart



Height, Width, Depth:	19 1/8 x 29 3/8 x 11 3/8
Glass Viewing Opening:	15 1/2 x 27 1/2
Shipping Size:	21 4/8 x 33 7/8 x 14 5/8
Shipping Weight:	68.6 lbs Glass Included

TRD 33-Smart



Height, Width, Depth:	22 1/4 x 31 3/4 x 11 3/8
Glass Viewing Opening:	18 3/4 x 29 7/8
Shipping Size:	24 5/8 x 36 2/8 x 14 5/8
Shipping Weight:	78 lbs Glass Included

INCLUDED ACCESSORIES

10 piece Birch log set, charcoal grey real fireglass media and two bags of vermiculite, in black and white, plus a remote. The 44 & 48 models come with two 10 piece Birch log sets.

A steel trim and glass inlay are included for the 26, 30, 33 & 38 models only.



DESIGN-MEDIA-BIRCH-10PCE

*Remote control may not be exactly as shown

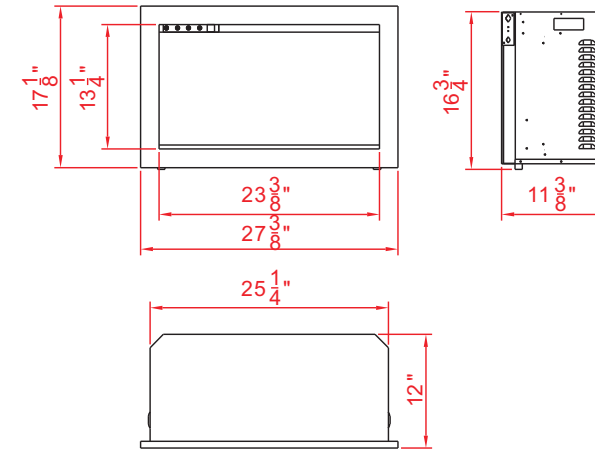
TRD 48-Smart shown with optional Fireglass

TRD 48-Smart

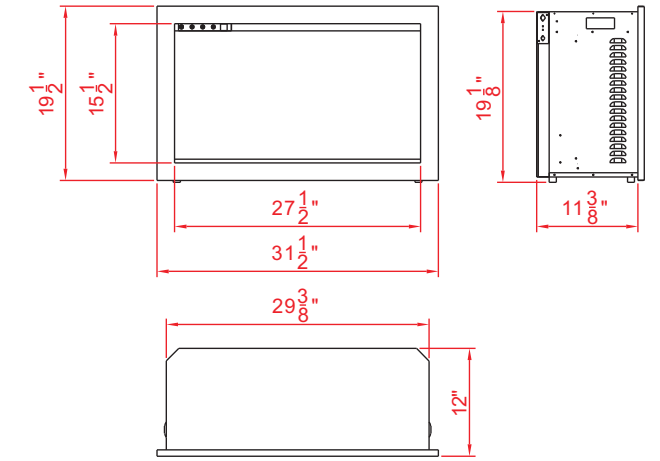
Height, Width, Depth: 41 1/8 x 47 1/4 x 13 3/4
 Glass Viewing Opening: 38 5/8 x 45 3/8
 Shipping Size: 44 x 51 6/8 x 16 7/8
 Shipping Weight: 170.4 lbs Glass Included



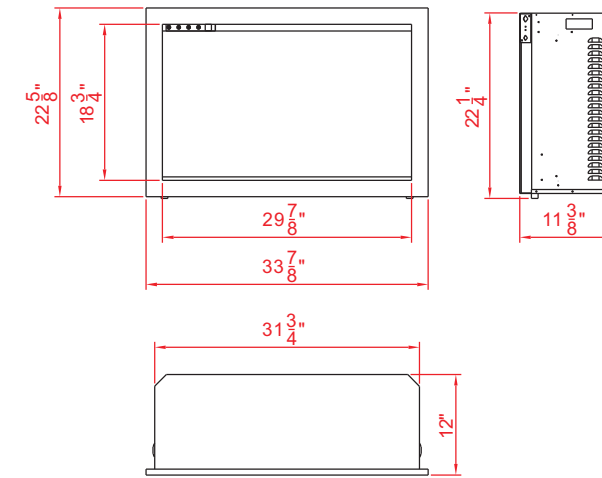
TRD-26 Smart



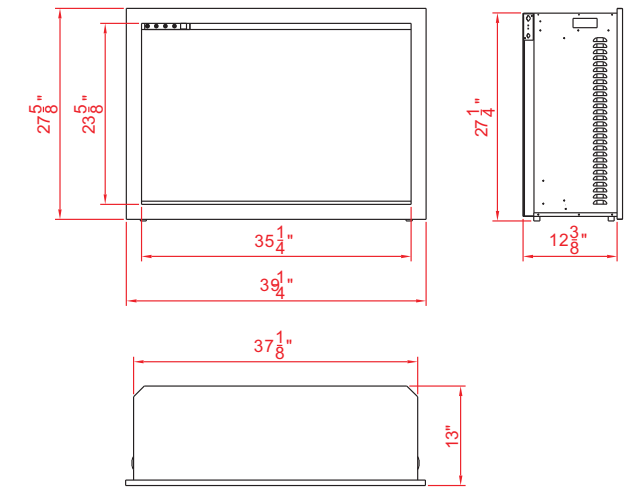
TRD-30 Smart



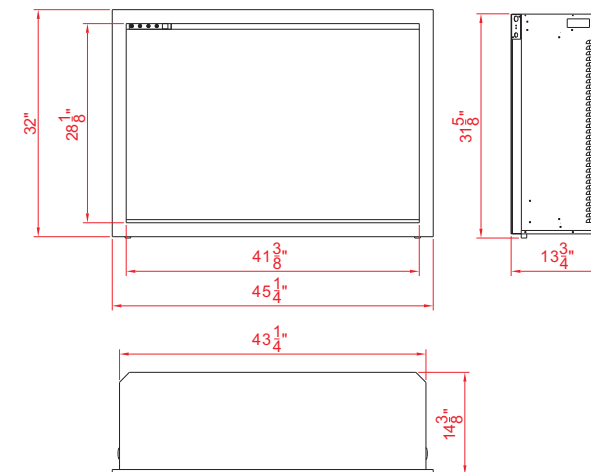
TRD-33 Smart



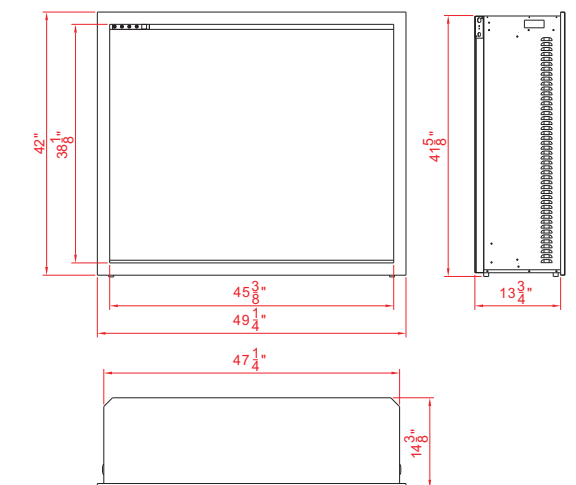
TRD-38 Smart



TRD-44 Smart



TRD-48 Smart



TRADITIONAL BESPOKE SMART

Using the latest technology, Traditional Bespoke Smart presents a new interpretation of the classic fireplace with quality and style. Select flame colors, sound, heat and so much more by pairing your phone with the fireplace and press play on your smartphone. Heater vents are concealed in the upper top of the unit, enabling a truly clean face appearance.

Enjoy the brilliant flames of this fireplace even while the heat is off for ambiance during every season.

With this timeless fireplace, you will be able to breathe new life into any room while adding warmth and ambiance

KEY FEATURES

- 5 Year Warranty
- Fire & Sound – Two (2) quality audio speakers deliver a fire crackling sound. The audio is an ON/OFF feature that can be controlled through the WiFi app.
- WiFi compatible to connect and control the fireplace from your smartphone with the use of our app. Available on the Google play store and the Apple App Store.
- Bluetooth Connectivity – Featuring a fireplace with high quality audio from Bluetooth speakers. Simply pair your phone with the fireplace and press play on your smartphone.
- Programmable timer & thermostat allows you to decide the temperature of the room. Set the fireplace to turn on before you arrive home or have it automatically turn on when the weather is cold.
- Smart Room Temperature Control - 59°F - 82°F or 15°C - 28°C
- 1465W 5000 BTU, heats up to 500 Sq. Ft.
- 50000 hours lifetime LED light source
- Approved for Outdoor Installations*
- Designed with front flow heating and hidden venting so that the unit can be recessed or semi flush mounted
- A clean reduced trim kit allows for a large viewing area with true lifelike flames that can not be rivaled.
- Adjustable flame brightness and speed that can be turned on separately.
- Adjustable ember bed colors that allow for the possibility of auto mixing thousands of colors.
- Most quiet and reliable components in the industry
- Patented thermostatic remote comes included
- Masonary finish to trim option

TECHNICAL SPECIFICATIONS

Volts	120V
Amps	12.5 A
Watts	1465 Watts
Heater On	1465 Watts high, 732 Watts low
Heater Off	27 Watts – TRD 33 Bespoke 32.6 Watts – TRD 38 Bespoke 37.8 Watts – TRD 44 Bespoke
Rotor Motor BTU	1 at 2.9 Watts 5000

SERIES MODELS:

- TRD-33 BESPOKE
- TRD-38 BESPOKE
- TRD-44 BESPOKE



TRD-44 BESPOKE

Height, Width, Depth: 27 1/4 x 37 1/8 x 12 3/8
Glass Viewing Opening: 23 5/8 x 35 1/4
Shipping Size: 29 5/8 x 41 6/8 x 14 4/8
Shipping Weight: 133.8 lbs Glass Included



TRD-33 BESPOKE

Height, Width, Depth: 22 1/4 x 31 3/4 x 11 3/8
Glass Viewing Opening: 18 3/4 x 29 7/8
Shipping Size: 28 1/8 x 41 1/4 x 16 1/2
Shipping Weight: 78 lbs Glass Included



TRD-38 BESPOKE

Height, Width, Depth: 16 3/4 x 25 1/4 x 4 1/8
Glass Viewing Opening: 13 5/8 x 25 1/8
Shipping Size: 17 1/4 x 27 1/8
Shipping Weight: 101.4 lbs Glass Included

INCLUDED ACCESSORIES

Models come with a choice of a Design Media kit - Driftwood, Birch or Rustic or ICE media kit



YOUR CHOICE:

DESIGN-MEDIA-DRIFT-15PCE
Now includes an additional 4 mini logs (Not Shown)



DESIGN-MEDIA-RUSTIC-14PCE



DESIGN-MEDIA-BIRCH-15PCE



DESIGN-MEDIA-SPLIT-LOG-16PCE



ICE MEDIA



DESIGN-MEDIA-BIRCH-10PCE



DESIGN-MEDIA-OAK-10PCE



*Manufacturer guidelines regarding outdoor installation must be followed. Please refer to the owner's manual for additional information

TRADITIONAL SMART INSERTS

KEY FEATURES

- Can be fully recessed or semi flush mounted.
- TRD three or four sided surround required for semi flush mounted applications
- WiFi compatible to connect and control the fireplace from your smartphone with the use of our app. Available on the Google Play Store and the Apple App Store
- Three speed flame motor
- Choose from combinations of yellow, orange, and red colored flames
- Two flame pattern styles – standard and more traditional
- Flame operates with or without heat
- Choose from 11 colors of canopy and ember bed lighting to illuminate decorative media from below and above
- Touch pad for convenient control of features and temperature display on the fireplace
- Programmable timer & thermostat allows you to decide the temperature of the room. Set your fireplace to turn on before you arrive home or have it automatically turn on when the weather is cold
- Patented thermostatic remote comes included

TECHNICAL SPECIFICATIONS

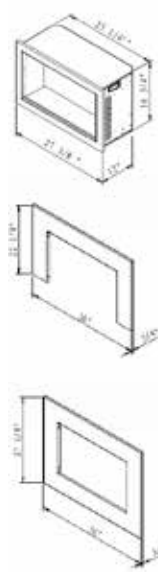
Volts	120V 60Hz
Amps	10
Watts	1465 Watts
Heater On	1465 Watts high, 732 Watts low
Heater Off	22 Watts
Rotor Motor	1 at 5 Watts
BTU	5000

SERIES MODELS:

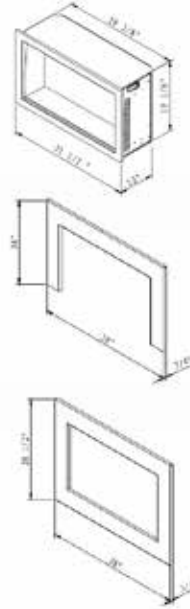
- TRD 26-Smart
- TRD 30-Smart
- TRD 33-Smart
- TRD 38-Smart



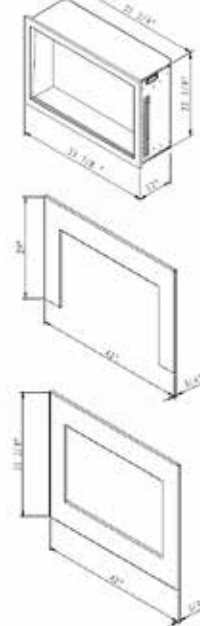
TRD 26-Smart



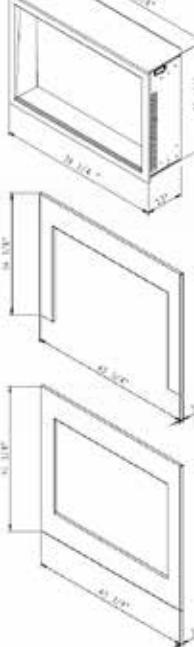
TRD 30-Smart



TRD 33-Smart



TRD 38-Smart



INCLUDED ACCESSORIES

Models come with 10 Piece Birch Style Log Set, 2 colors of real fireglass and 2 colors of vermiculite, plus a remote.



Surrounds Optional:



3-Sided Surround

4-Sided Surround



TRD 38-Smart

Height, Width, Depth:	27 1/4 x 37 1/8 x 12 3/8
Glass Viewing Opening:	23 5/8 x 35 1/4
3-piece Trim:	34 3/8 x 45 3/4 x 3/4
4-piece Trim:	41 1/8 x 45 3/4 x 3/4
Shipping Size:	29 5/8 x 41 6/8 x 14 4/8
Shipping Weight:	101.5 lbs Glass Included



TRD 33-Smart

Height, Width, Depth:	22 1/4 x 31 3/4 x 11 3/8
Glass Viewing Opening:	18 3/4 x 29 7/8
3-piece Trim:	29 x 42 x 3/4
4-piece Trim:	35 3/8 x 42 x 3/4
Shipping Size:	24 5/8 x 36 2/8 x 14 5/8
Shipping Weight:	78 lbs Glass Included

TRD 26-Smart



TRD 30-Smart



Height, Width, Depth:	16 3/4 x 25 1/4 x 11 3/8
Glass Viewing Opening:	15 1/2 x 27 1/2
3-piece Trim:	22 1/8 x 36 x 3/4
4-piece Trim:	27 1/8 x 36 x 3/4
Shipping Size:	21 4/8 x 33 7/8 x 14 5/8
Shipping Weight:	42.3 lbs. Glass Included

Height, Width, Depth:	19 1/8 x 29 3/8 x 11 3/8
Glass Viewing Opening:	15 1/2 x 27 1/2
3-piece Trim:	24 x 38 x 3/4
4-piece Trim:	28 1/2 x 38 x 3/4
Shipping Size:	21 4/8 x 33 7/8 x 14 5/8
Shipping Weight:	69 lbs Glass Included

TRADITIONAL BESPOKE SMART INSERTS

KEY FEATURES

- 5 Year Warranty
- Fire & Sound – Two (2) quality audio speakers deliver a fire crackling sound. The audio is an ON/OFF feature that can be controlled through the WiFi app.
- WiFi compatible to connect and control the fireplace from your smartphone with the use of our app. Available on the Google play store and the Apple App Store.
- Bluetooth Connectivity – Featuring a fireplace with high quality audio from Bluetooth speakers. Simply pair your phone with the fireplace and press play on your smartphone. 🎧
- Programmable timer & thermostat allows you to decide the temperature of the room. Set the fireplace to turn on before you arrive home or have it automatically turn on when the weather is cold.
- Smart Room Temperature Control - 59°F - 82°F or 15°C - 28°C
- 1465W 5120 BTU, heats up to 500 Sq. Ft
- 50000 hours lifetime LED light source
- Approved for Outdoor Installations*
- Designed with front flow heating and hidden venting so that the unit can be recessed or semi flush mounted.
- A clean reduced trim kit allows for a large viewing area with true lifelike flames that can not be rivaled.
- Adjustable flame brightness and speed that can be turned on separately.
- Adjustable ember bed colors that allow for the possibility of auto mixing thousands of colors.
- Most quiet and reliable components in the industry
- Patented thermostatic remote comes included
- Masonary finish to trim option

TECHNICAL SPECIFICATIONS

Volts	120V 60Hz
Amps	12.5
Watts	1465 Watts
Heater On	1465 Watts high, 732 Watts low
Heater Off	27 W – TRD 33 Bespoke Insert 32.6 W – TRD 38 Bespoke Insert
Rotor Motor BTU	1 at 2.9 Watts 5120

SERIES MODELS:
TRD-33 BESPOKE Insert
TRD-38 BESPOKE Insert

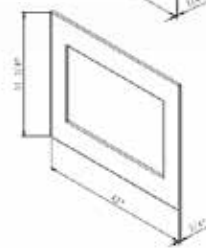
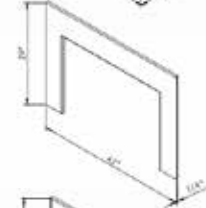
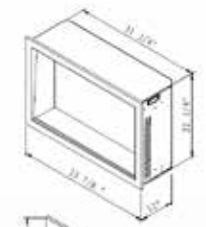


TRD-33 BESPOKE Insert

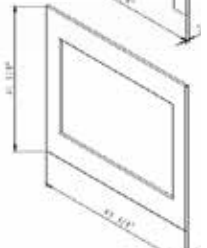
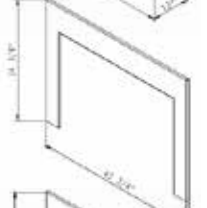
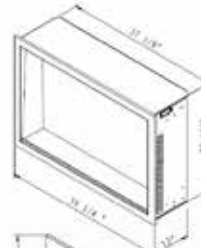


TRD-38 BESPOKE Insert

TRD-33 BESPOKE Insert



TRD-38 BESPOKE Insert



TRD-38 BESPOKE Insert
Height, Width, Depth: 27 1/4 x 37 1/8 x 12 3/8
Glass Viewing Opening: 23 5/8 x 35 1/4
3-piece Trim: 34 3/8 x 45 3/4 x 3/4
4-piece Trim: 41 1/8 x 45 3/4 x 3/4
Shipping Size: 29 5/8 x 41 6/8 x 14 4/8
Shipping Weight: 112.2 lbs. Glass Included



TRD-33 BESPOKE Insert
Height, Width, Depth: 22 1/4 x 31 3/4 x 11 3/8
Glass Viewing Opening: 18 3/4 x 29 7/8
3-piece Trim: 29 x 42 x 3/4
4-piece Trim: 35 3/8 x 42 x 3/4
Shipping Size: 24 5/8 x 36 2/8 x 14 5/8
Shipping Weight: 83.6 lbs. Glass Included

INCLUDED ACCESSORIES

All fireplaces come with a choice of one Designer Media Kit - Driftwood, Rustic, Birch, Split Log, Oak or Ice Media. Remote Control comes included.



Surrounds Optional:



3-Sided Surround



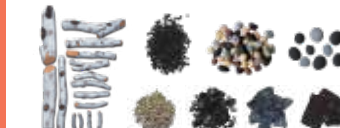
4-Sided Surround

YOUR CHOICE:

DESIGN-MEDIA-DRIFT-15PCE
Now includes an additional 4 mini logs (Not Shown)



DESIGN-MEDIA-BIRCH-15PCE



DESIGN-MEDIA-SPLIT-LOG-16PCE



NEW

DESIGN-MEDIA-RUSTIC-14PCE



DESIGN-MEDIA-BIRCH-10PCE



ICE MEDIA
FI-109-Diamond



DESIGN-MEDIA-OAK-10PCE



TRADITIONAL SERIES | FIREPLACE & INSERT ELECTRIC FIREPLACES

FIRE GLASS

Our decorative fire glass media is a beautiful addition to your fireplace. Turn your fireplace into a expressive work of art by simply adding our decorative fire glass media. Our fire glass adds a distinctly modern feel to your gas fireplace - mix colors and textures for a unique appearance.

Our decorative fire glass is tempered and will not melt or degrade, some discoloration is normal on glass that is placed directly on the flame. Always wear protective gloves when handling fire glass media.

One 5lb container of media will cover 1 square foot.



FIRE & ICE FLAME KIT FIRE & ICE TRAY KIT

This kit provides the necessary components to enable the FIRE & ICE presentation to be included with the Amantii Smart Fireplace. The Smart models use the latest cutting edge technology and innovation to provide instant heat, realistic flame and adaptive lighting. Fire and Ice Flame and Tray Kits are available for purchase.



Images are not to scale, please visit your local dealer to view the actual accessories.

Variations in the color and shade are inherent in all printing processes, the actual colors may vary slightly from those shown.

Note: Log sets and Designer Media Kits will fit in all sizes of the following models - Panorama DEEP, TRU VIEW XL and CUBE ONLY. (Depending on the size of the fireplace model, some logs may not be needed.)

DESIGNER MEDIA KITS

Add incredible value with designer media kits including deluxe log sets, glass and stone media and decorative embers.

DESIGN-MEDIA-BIRCH-10PCE



DESIGN-MEDIA-OAK-10PCE



DESIGN-MEDIA-NATURAL-8PCE



DESIGN-MEDIA-14PCE



DESIGN-MEDIA-BIRCH-15PCE



DESIGN-MEDIA-15PCE



DESIGN-MEDIA-6PCE



DESIGN-MEDIA-SPLIT-LOG-16PCE



DESIGN-MEDIA-BIRCH-12PCE



Birch 12-piece log
Approved for use in the following Amantii Electric Fireplaces: Tru View XL Deep, TRV XL-XT, Panorama BI-Deep XT, Symmetry XT, Symmetry XT Bespoke, Traditional (TRD) Bespoke, Traditional (TRD) 33", 38", 44", 48"



TRD 33-Smart Insert shown with
Birch Logs and optional 4-sided trim

AM-TRD-BROCH-US SEPT 2022

Distributed By:

Product updates, specifications and dimensions are subject to change. Please refer to the product manual to verify measurements and clearance requirements. All local building codes must be followed.

Amantii

Visit our online showrooms at:

www.amantii.com